



*Godrej*

## *Matrix Safes*



*Absolute security, absolute peace of mind.*

# Matrix Safes

High levels of security need not be the privilege of the rich and the famous only. Or of high profile offices alone. Now you too can benefit from the same levels of security that have been enjoyed by countless number of people across the world.

With Matrix — the Range of Fire & Burglar Resistant Safes from Godrej, designed for the USA market, now being introduced in India.

The pioneers and leaders in providing security solutions in India for over a century now, Godrej has constantly endeavoured to create high quality products. The Matrix range is one such example.

## Matrix excellence in security

Matrix is a high quality fire and burglar resistant safe that offers high levels of security to apartments, private homes, businesses and executive offices. It is most suitable for commercial applications.

Sleek, compact and easy to operate, the Matrix comes in a range of four models to suit every need.

### Some of the salient features of the safe are:

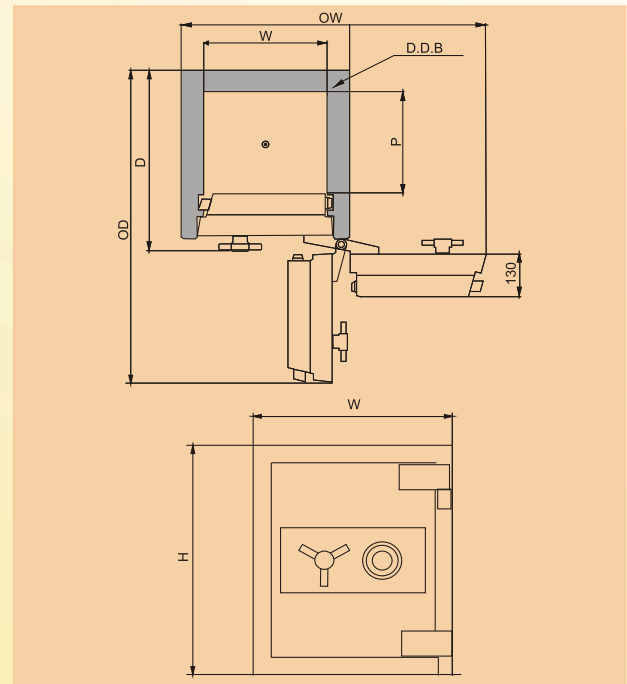
- Strong double-walled construction
- Godrej made unpickable dual control 6-lever key lock
- Adjustable shelves for convenience
- Double Duty Barrier provides fire as well as burglary resistance
- Ideal for cash, jewellery, watches, silver, credit cards, passport, cameras, important documents, etc.

### After sales service network

To meet the needs of the customers, Godrej has a wide sales and service network of 20 branches, 44 showrooms and over 650 dealers in India and many more in the Middle East, Africa, South East Asia, SAARC Countries and North America.

		1212	1814	2414	3016
<b>Outside Dimensions (mm)</b>	H	435	588	740	892
	W	435	486	486	536
	D	521	546	546	546
	OD	870	946	946	996
	OW	780	882	882	982
<b>Inside Dimensions (mm)</b>	h	305	458	610	762
	w	305	356	356	406
	d	280	305	305	305
<b>Volume (lts.) (approx.)</b>		26.0	49.7	66.2	94.4
<b>Weight (Kg.) (approx.)</b>		185	255	305	340

Tolerances: Weight:  $\pm 5\%$  Dimensions:  $\pm 2\%$   
All dimensions and weights are in metric system and are approximate.



Godrej & Boyce Mfg. Co. Ltd.

Security Equipment Division

Regd. Off.: Pirojshanagar, Vikhroli, Mumbai 400079.

Tel.: 022-67964752-67. Fax: 91-22-67961509.

Email: secure@godrej.com Website: www.godrej.com

West: Ahmedabad, Bhopal, Jabalpur, Mumbai, Pune.  
East: Bhubaneshwar, Kolkata, Guwahati, Ranchi, Patna.  
North: Chandigarh, Delhi, NCR, Jaipur, Lucknow.  
South: Bangalore, Chennai, Kochi, Hyderabad, Vizag.



Local Address:

In view of the Godrej policy of continuous development and improvement, the dimensions and specifications may be changed without prior notice or obligation. The colours of the product in this leaflet may not match the actual colours due to printing limitations.

MGM COMM./ admantra